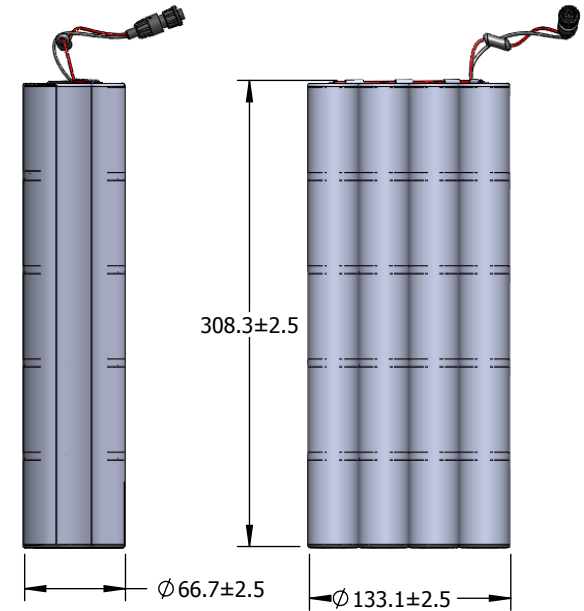
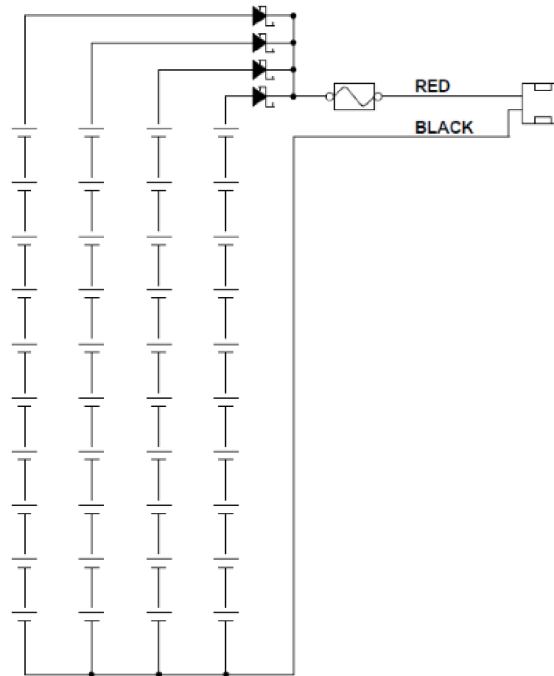
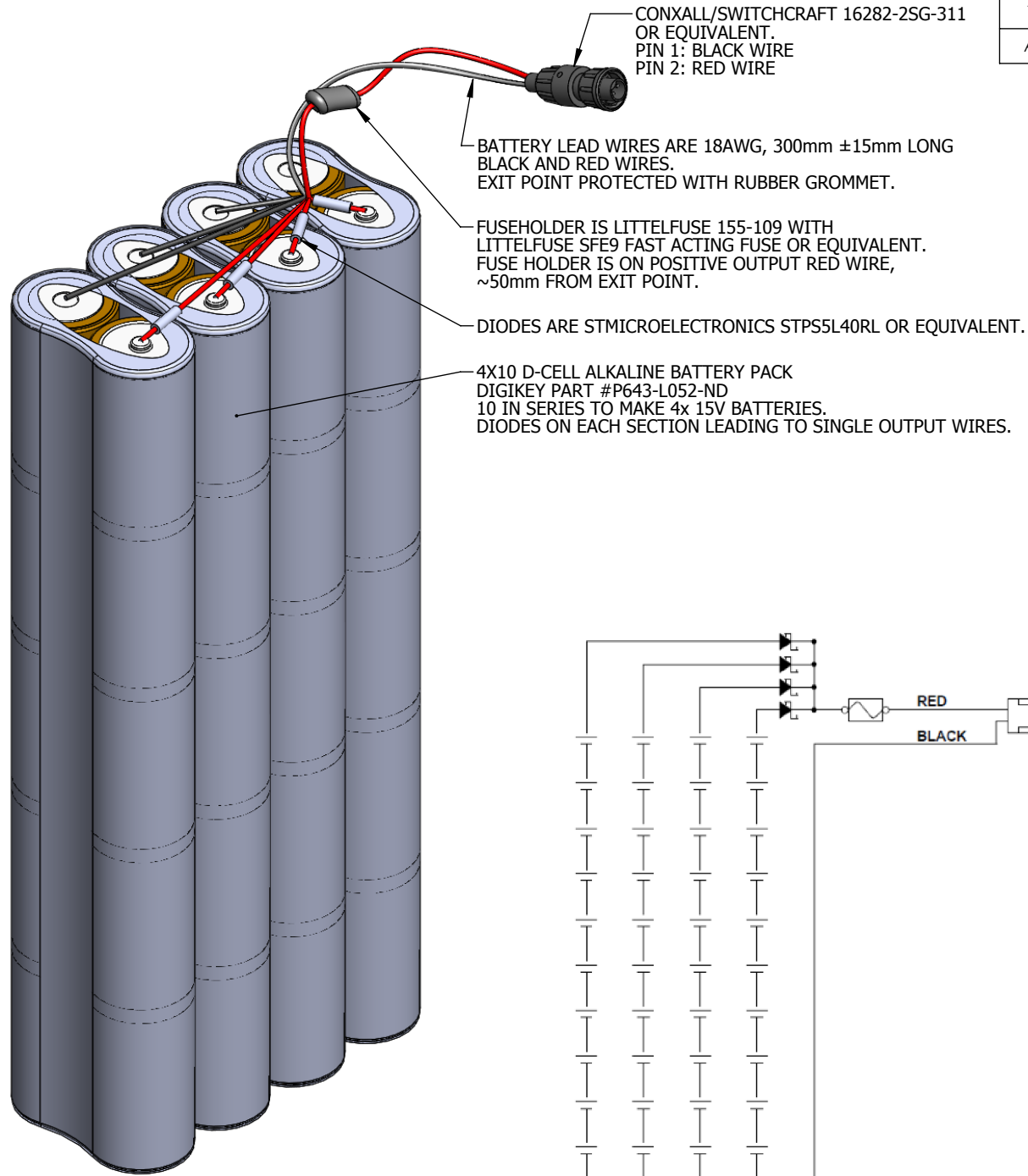


REVISIONS				
REV	DESCRIPTION	DATE	REV BY	APP BY
1	INITIAL RELEASE	JUL 17, 2015	WZ	BB
A	PRODUCTION RELEASE	AUG 31, 2015	WZ	BB



- NOTES:
1. DRAWING IS METRIC, DIMENSIONS ARE IN mm. UNLESS OTHERWISE SPECIFIED.
 2. BATTERY PACKS SHOULD BE SECURED TOGETHER WITH STRAPPING OR HEATSHRINK.

RBR			
<small>This drawing is issued in the strictest confidence and shall not be used for, or as the basis of the manufacture of any product in whole or in part, without the express written consent of RBR Ltd © 2015</small>			
Description: Battery Pack Assembly, 15V, 4x 10 D-Cells, Alkaline			
Material: SEE CALLOUTS			
Finish: PVC SHRINKWRAP			
Dims: mm	Scale: 1:5	Designed By: W.ZAUGG	Date: MAY 2015
DO NOT SCALE DRAWING			
Size: A	Sheet: 1 OF 1	Part No. 0002640	REV No. A